

RIDGID Pipe and Conduit Drop-Head Threaders

Exposed Ratchet Type

No. 00-R

Capacity: 1/8" through 1"

No. 111-R

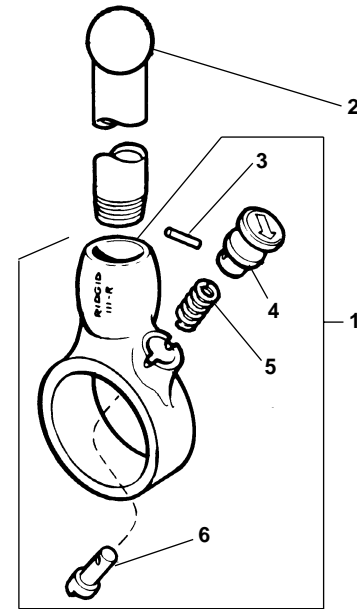
Capacity: 1/8" through 1 1/4"

No. 12-R

Capacity: 1/8" through 2"

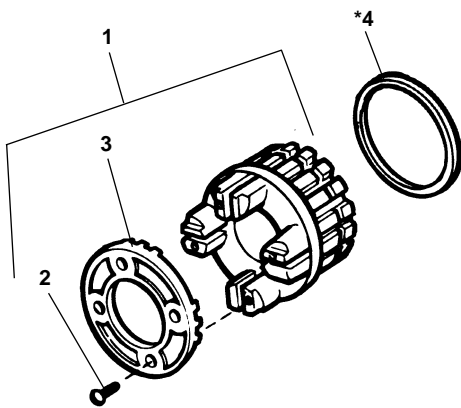
No. 12-R IMC

Capacity: 1/2" through 2"



NOTE: Order parts by Catalog Number only.
DO NOT order by Reference Number.

Ref. No.	Description	00-R Catalog No.	111-R Catalog No.	12-R Catalog No.
—	Ratchet and Handle Assembly	38540	38550	38555
1	Ratchet Assembly	38565	38575	38580
2	Handle	38590	38585	38585
3	Pin	38705	38705	38705
4	Knob	38700	38700	38700
5	Spring	38695	38695	38695
6	Pawl	38690	38690	38690



* Used on early models

Ref. No.	Description		00-R Catalog No.	111-R Catalog No.	12-R Catalog No.	12-R IMC Catalog No.
1	Die Head w/Cover Plate & Screws	1/8"	38710	38840	38890	—
		1/4"	38730	38850	38900	—
		3/8"	38740	38855	38905	—
		1/2"	38755	38860	38910	94060
		3/4"	38765	38865	38915	94065
		1"	38775	38870	38920	94070
		1 1/4"	—	38875	38925	94075
		1 1/2"	—	—	38930	94080
		2"	—	—	38945	94085
2	Cover Plate Screw (4)	1/8"-1/4"	38720	38720	38720	—
		3/8"-1 1/4"	38750	38750	38750	38750
		1 1/2"-2"	—	—	38940	38940
3	Cover Plate	1/8"	38715	38715	38715	—
		1/4"	38735	38735	38735	—
		3/8"	38745	38745	38745	—
		1/2"	38760	38760	38760	38760
		3/4"	38770	38770	38770	38770
		1"	38780	38780	38780	38780
		1 1/4"	—	38880	38880	38880
		1 1/2"	—	—	38935	38935
		2"	—	—	38950	38950
4	Spring Ring		*38725	*38845	*38895	—